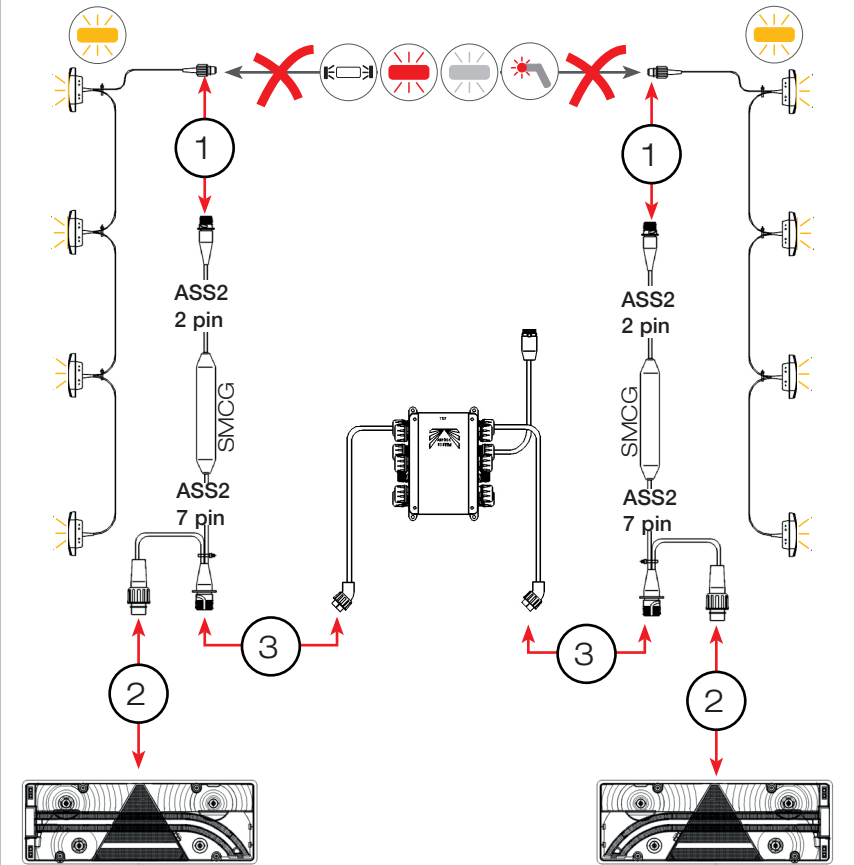


# Mounting instruction of SMCG

PART NO.: 75-0329-007

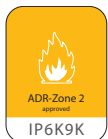
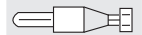


PART NO.: 75-0328-007



- rear position light
- front position light
- sidemarker light
- end outline marker
- number plate light
- direction indicator light

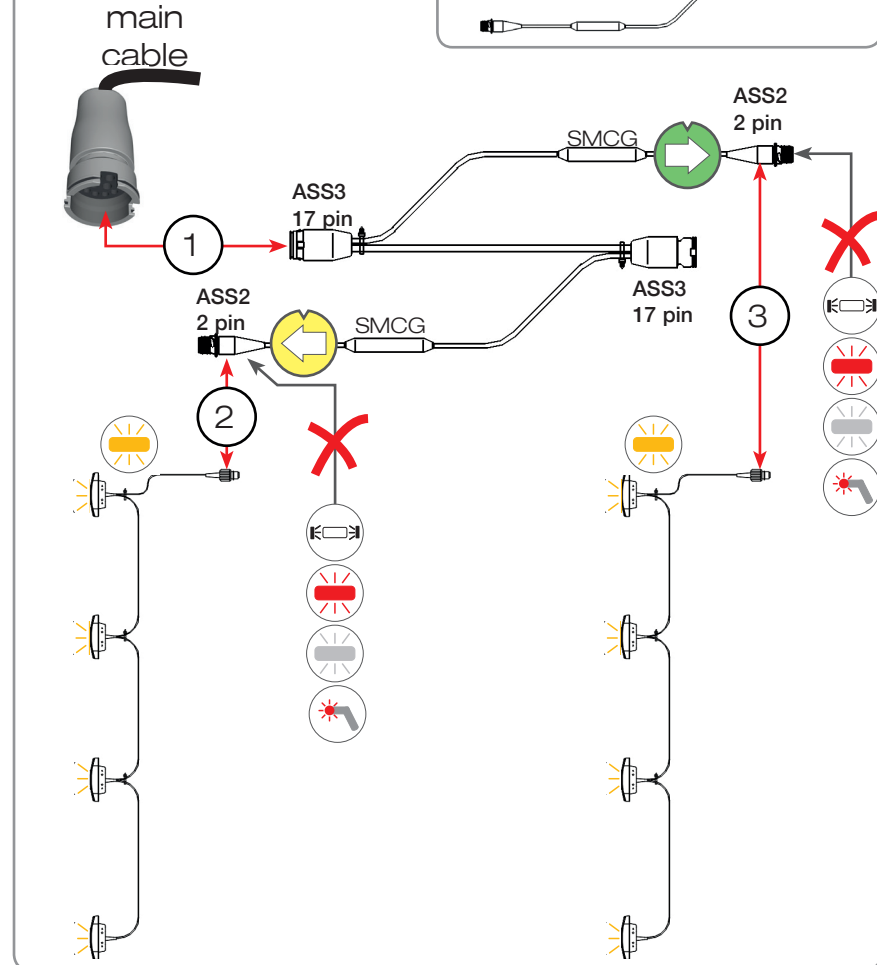
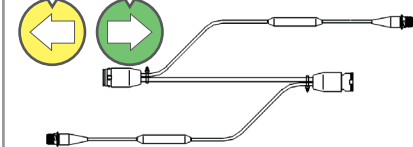
U=10-32V



# Mounting instruction of SMCG-double

SMCG double

PART NO.: 75-0331-007

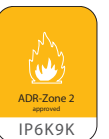


Aspöck Systems GmbH | Enzing 4 | 4722 Peuerbach | AUSTRIA  
 Tel.: +43 72 76 / 26 70-0 | Fax: DW 1199 | office@aspoeck.at | www.aspoeck.com

**A.PIERINGER GmbH**  
**www.ap.works**

2141 Ameis, Obere Hauptstraße 68  
 Telefon: +43 / 2425 / 278 00  
 E-Mail: vk@ap.co.at

U=10-32V



Printing errors, technical changes as well as picture changes reserved.