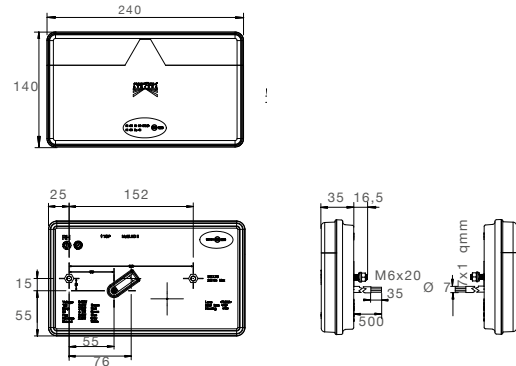




MULTILED II flach / flat

ADR Zone 2 IP 6K9K



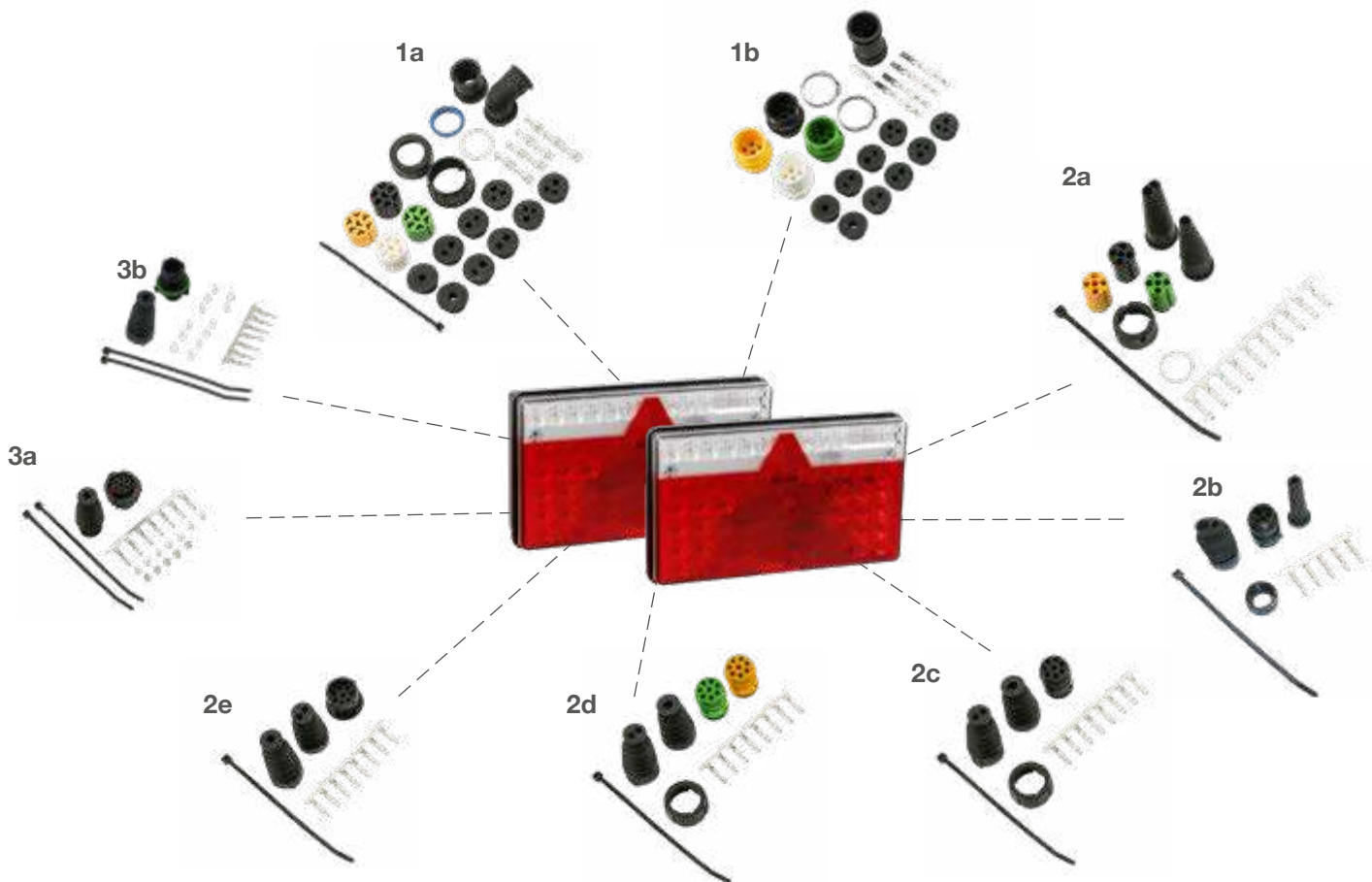
Blinklicht Direction indicator	Rücklicht Tail light	Bremslicht Stop light	Nebelschlusslicht Fog light
Rückfahrlicht Reverse light	Dreieckrückstrahler Triangle reflector		

BEST. NR	PART NO	Box	←	→	LED	V	ZUSATZ ADD ON	ANSCHLUSS CONNECTOR	Length	Symbol
35-0201-001	1/-	●			LED	12V 24V		offenes Ende open end	0,50 m	↔
35-0201-011	1/-	●			LED	12V 24V		5 pol. Bajonett 5 pin Bayonet	0,50 m	↔
35-0201-021	1/-	●			LED	12V 24V		8 pol. Bajonett 8 pin Bayonet	0,50 m	↔
35-0201-031	1/-	●			LED	12V 24V		7 pol. ASS2 7 pin ASS2	0,50 m	↔
35-0201-041	1/-	●			LED	12V 24V		7 pol. AMP 7 pin AMP	0,50 m	↔
35-0202-001	1/-		●		LED	12V 24V		offenes Ende open end	0,50 m	↔
35-0202-011	1/-		●		LED	12V 24V		5 pol. Bajonett 5 pin Bayonet	0,50 m	↔
35-0202-021	1/-		●		LED	12V 24V		8 pol. Bajonett 8 pin Bayonet	0,50 m	↔
35-0202-031	1/-		●		LED	12V 24V		7 pol. ASS2 7 pin ASS2	0,50 m	↔
35-0202-041	1/-		●		LED	12V 24V		7 pol. AMP 7 pin AMP	0,50 m	↔



MULTILED II

ZUBEHÖR / ACCESSORIES



1 ASS1 & ASS2 Verbinder | ASS1 & ASS2 connector

- (a) 7 pol. weiblich
7 pin female 13-5626-631
- (b) 7 pol. männlich
7 pin male 13-5625-981

2 Bajonett Verbinder | bayonet connector

- (a) 5 pol. weiblich
5 pin female 13-0521-104
- (b) 5 pol. männlich
5 pol. male 13-0536-044
- (c) 8 pol. weiblich
8 pin female 13-0828-034
- (d) 8 pol. weiblich
8 pin female 15-0821-524
- (e) 8 pol. männlich
8 pol. male 13-0838-054

3 AMP Verbinder | AMP connector

- (a) 7 pol. weiblich
7 pin female 15-7002-024
- (b) 7 pol. männlich
7 pin male 15-7002-034